



ALVENIUS®
nowline



NEWS

High strength steel
80 bar system
Even lower weight

snowmaking



ALVENIUS[®] Snowline

More than 2.500.000 meters of pipes in service at ski resorts all over the world!



Snowline is Alvenius' pipe system for snowmaking. Snowline is the only steel pipe system available where the entire system, pipes and fittings, are fully protected both on the inside and the outside surfaces against corrosion. It is a comprehensive, quick-coupling steel pipe system that has been developed in cooperation with ski resorts and snowmaking equipment suppliers.

Two different pipe systems

Alvenius offers two different pipe and coupling systems, depending on working pressure required. All pipes and pipe fittings are equipped with machined rings at the ends. This results in excellent performance and the ability to optimise the wall thickness of the pipe. Each pipe undergoes hydrostatic testing at 1,5 times the classified working pressure.

K10

The K10 coupling system is based on the metric standard and is approved for working pressure up to 25 bar, depending on dimension.

Victaulic

The Victaulic coupling system is based on the ISO standard and is approved for working pressure up to 80 bar, depending on dimension.

Two different corrosion protections

Snowline provides both inside and outside corrosion protection for its pipe systems. Depending on the degree of corrosion protection required, Snowline is supplied with one of two standard anti-corrosion surface treatments.

Thermoplastic coating

The untreated pipes and pipe fittings are shot-blasted then heated and coated inside and outside with a functionalized thermoplastic coating. Extensive multi-year tests show that the coating does not scale or crack. Snowline's thermoplastic coating system protects the steel core not only against normal corrosion but also against galvanic corrosion caused by electrical currents in the soil. The insulating properties of the coating eliminate the need for a cathodic protection system. The dielectric strength of the thermoplastic coated pipes is approximately 20 kV.

Hot dip galvanising

In Alvenius own hot dip galvanising facilities, pipes and fittings are hot dip galvanised according to SS-EN ISO 1461:1999.



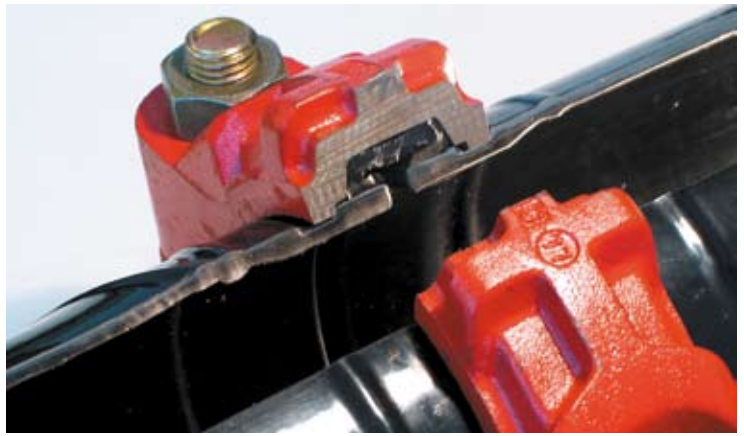
All pipes and pipe fittings are delivered either thermoplastic coated or hot dip galvanised.

Snowline	Thermoplastic coated	Hot dip galvanised
K10 – up to 25 bar		Ø 48 – 203 mm
Victaulic – up to 80 bar	Ø 89 – 323 mm	Ø 89 – 323 mm

Strong connections

Snowline's proven quick-coupling systems provide strong connections that permit high end loads. For example, the Victaulic system allows the following end loads.

Ø 114 x 2,7	PN 80	7000 kg
Ø 139 x 3,3	PN 80	11000 kg
Ø 168 x 2,8	PN 80	15000 kg



Low weight

One of the key advantages of the system is its low weight. A 5,8 m pipe with a diameter of 114 mm has a weight of only 46 kg. A corresponding cast iron pipe has a weight of about 110 kg.

Good flow characteristics

The low coefficient of friction of the thermoplastic-coated pipes and fittings and large inside diameter achieved by optimising the pipe wall thickness makes Snowline ideally suited for snowmaking.

Angular deflection

Snowline couplings permit an angular deflection up to 4 degrees, depending on type of coupling and pipe dimension.

Complete pipe system

A wide range of pipes, fittings and couplings makes planning and assembly easier.

Compatible

Changing from one Snowline system to the other is not a problem, since the two are compatible with each other, and with other systems on the market.

PED

Snowline conforms to the regulations in PED 97/23/EC (Pressure Equipment Directive) for pressure equipment.

Easy and quick installation

The pipe system is assembled with quick couplings. There is no need for expensive welding and the assembly can be done quick by untrained staff.

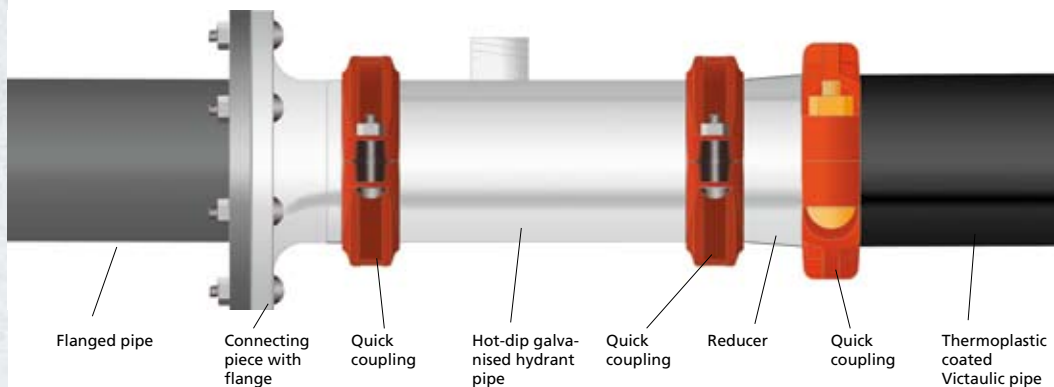
Approved for potable water

The thermoplastic coated Snowline system is approved for contact with potable water.



Snowline is easy to handle thanks to its low weight.

A wide range of pipes and pipe fittings makes Snowline flexible and compatible with other pipe systems.





ALVENIUS®



AB ALVENIUS INDUSTRIER
BOX 550
SE-631 07 ESKILSTUNA
SWEDEN
PHONE +46 16 166500
FAX +46 16 122634
Email: info@alvenius.se
www.alvenius.com